

4

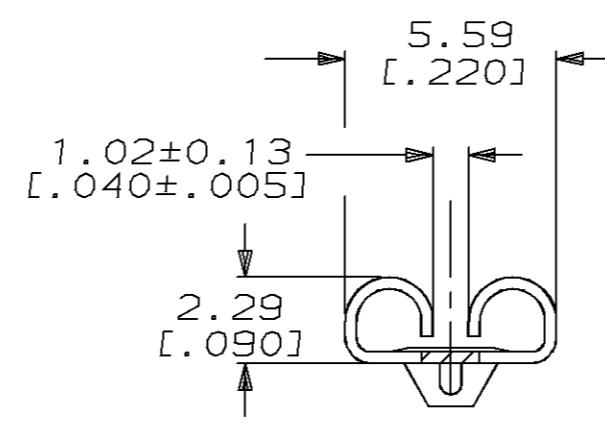
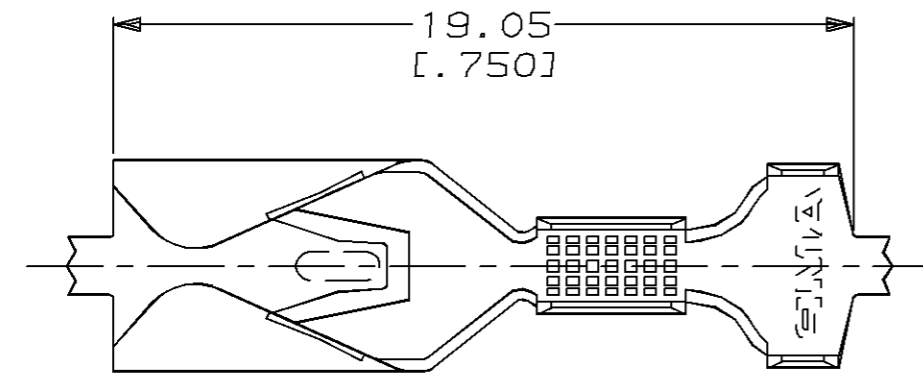
3

2

1

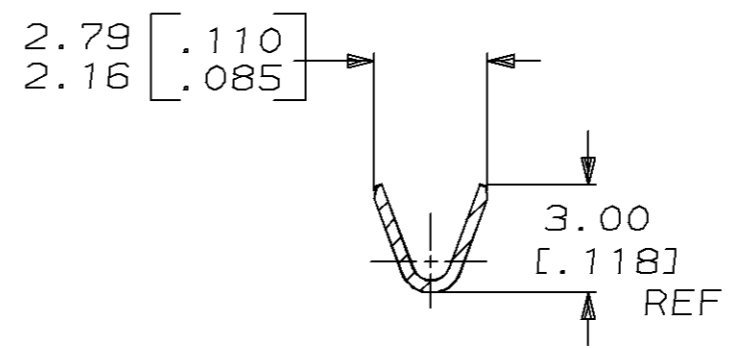
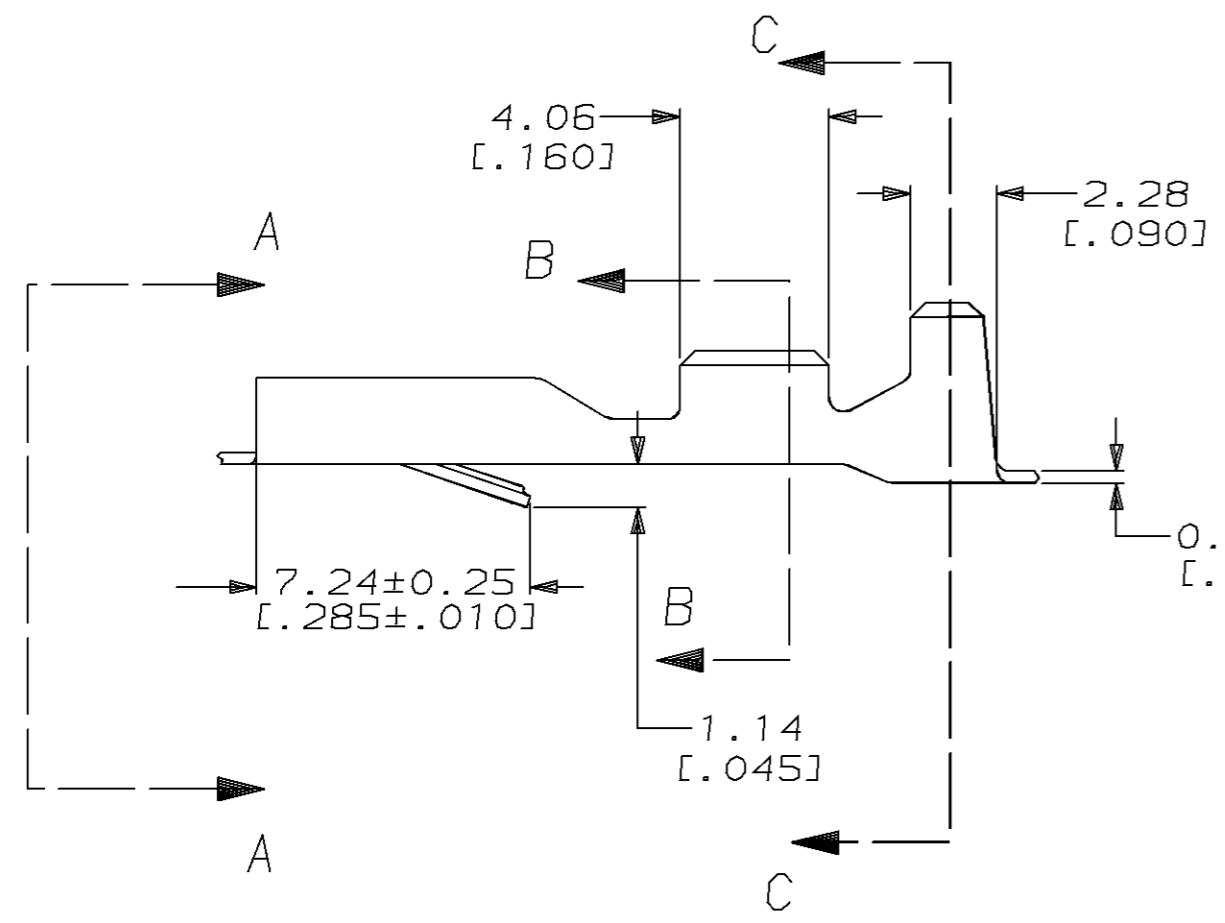
THIS DRAWING IS UNPUBLISHED. RELEASED FOR PUBLICATION, 19 .
 © COPYRIGHT 19 BY AMP INCORPORATED. ALL RIGHTS RESERVED.

LOC	DIST	REVISIONS			
P	LTR	DESCRIPTION	DATE	DWN	APVD
AF	50	G	REDRAWN PER 0L10-0101-97	3/6/97	JR JG

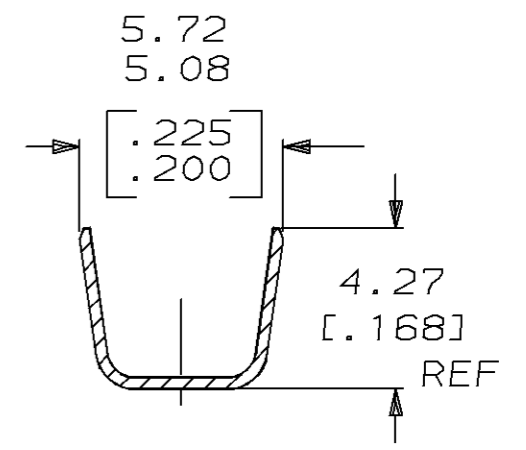


VIEW A-A

- 1 CONTINUOUS STRIP ON REELS.
- 2 TO BE USED WITH 60434 AND HOUSING 480252.
- 3 MAY BE USED WITH INDIVIDUAL 4.75 X 0.51 [0.187 X 0.020] THK TAB.
- 4 WIRE SIZE IS [#20-#16] AWG.
- 5 INSULATION RANGE IS 2.29-3.30 [0.090-.130] DIA. OR TWO AT 2.79 [0.110] MAX.



SECTION B-B



SECTION C-C

60435-1
PART NO.

THIS DRAWING IS A CONTROLLED DOCUMENT.		DWN	JR RUTH	3/6/97	AMP AMP Incorporated Harrisburg, PA 17105-3608
DIMENSIONS: MM [INCHES]		CHK	MS FEHER	3/6/97	
TOLERANCES UNLESS OTHERWISE SPECIFIED:		APVD	J GILLESPIE	3/6/97	NAME
0 PLC ±-		PRODUCT SPEC	RECEPTACLE, FASTIN-FASTON, 4.75 [0.187] SERIES		
1 PLC ±-		APPLICATION SPEC	SIZE CAGE CODE DRAWING NO RESTRICTED TO		
2 PLC ±0.38 [0.015]		WEIGHT	A3 00779 C-60435		
3 PLC ±-		CUSTOMER DRAWING	SCALE	SHEET	REV
4 PLC ±-			5:1	1 OF 1	G
ANGLES ±-					
FINISH PRE-TIN					
MATERIAL H04 BRASS					